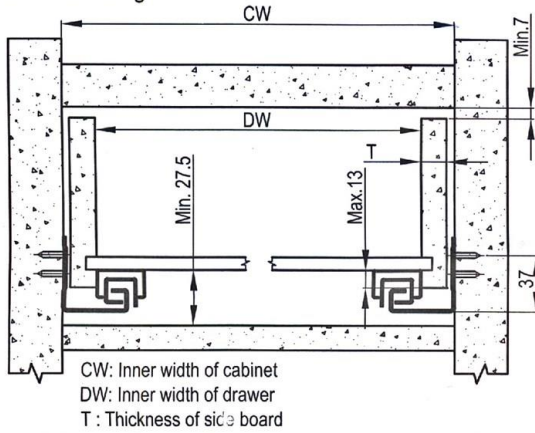


# Installation Instruction of Full-extension Concealed Slide with Synchronized System

Loading Capacity: 30 KG

Side Board Thickness of drawer: ≤16, 18mm

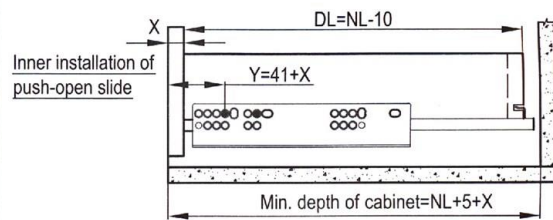
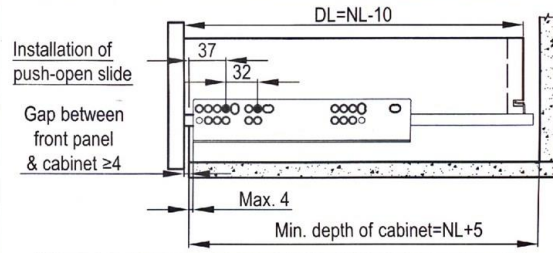
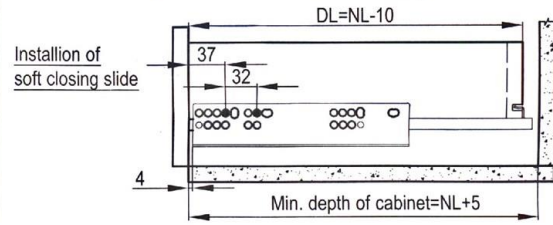
Cabinet Drawing I



T	DW	For example
≤16	=CW-42 <sub>-1.5</sub> <sup>0</sup>	CW=564 and DW=522~523.5
18	=CW-46 <sub>-1.5</sub> <sup>0</sup>	CW=564 and DW=518~519.5

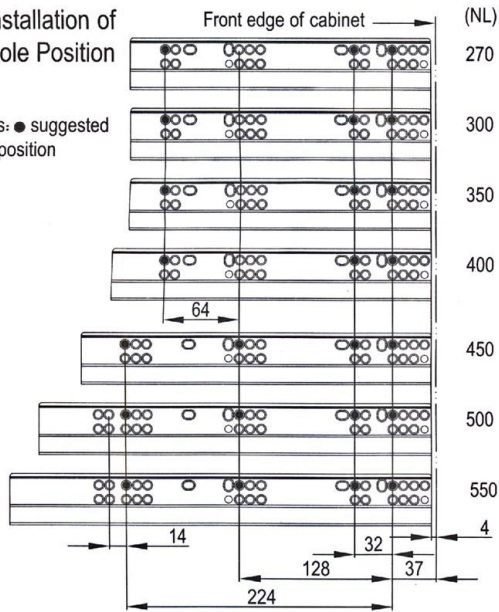
Cabinet Drawing II

DL: Drawer length  
NL: Nominal length



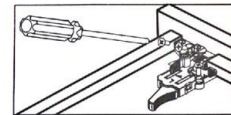
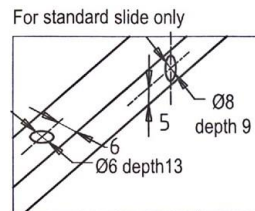
Installation of Hole Position

Notes: ● suggested hole position

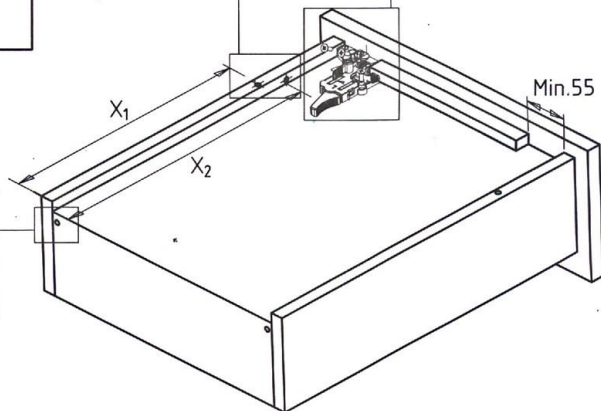
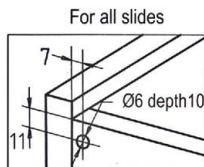


Processing Drawing of Drawer

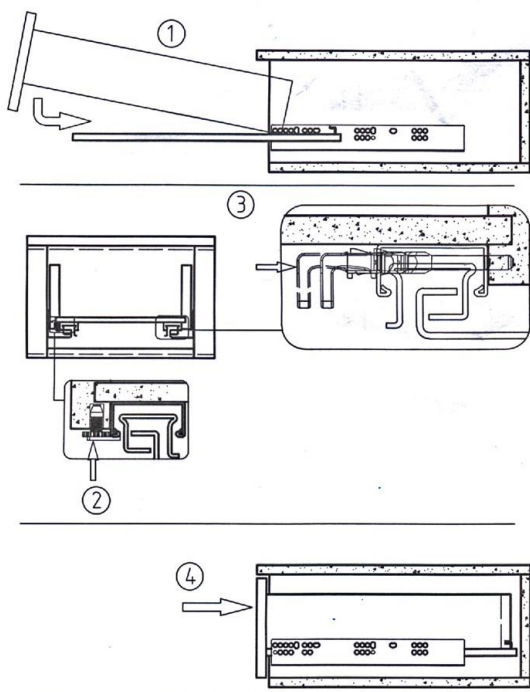
For clip-on slide only



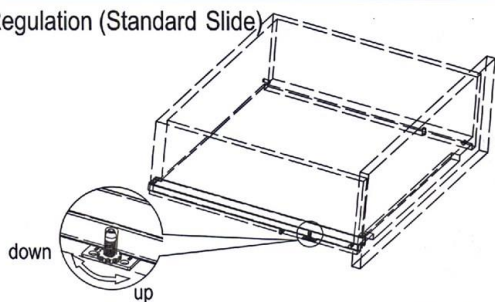
NL	X1(mm)	X2(mm)
250	205	225
270	205	248
300	230	275
350	275	320
400	300	376
450	335	421
500	360	466
550	405	511



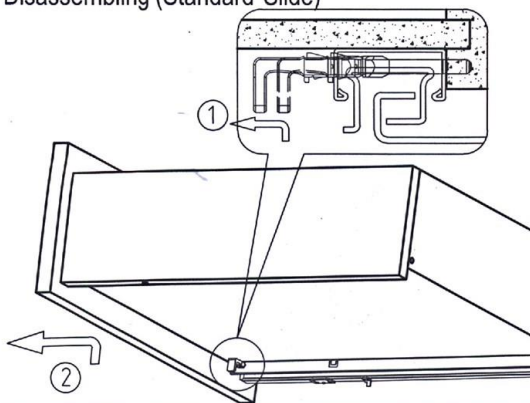
### Drawer Installation (Standard Slide)



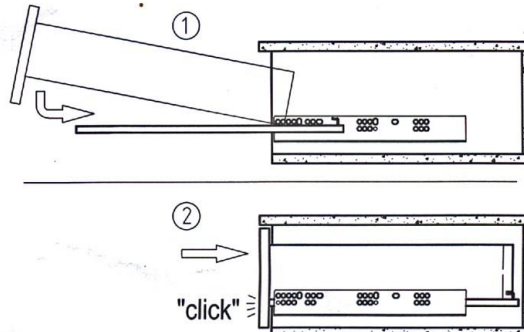
### Regulation (Standard Slide)



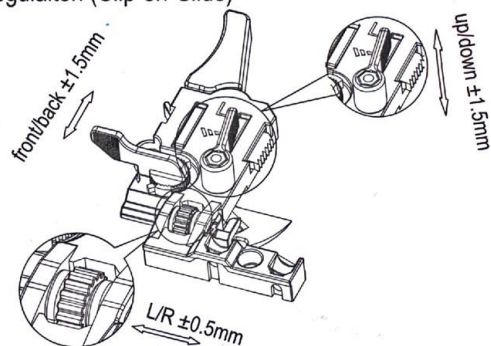
### Disassembling (Standard Slide)



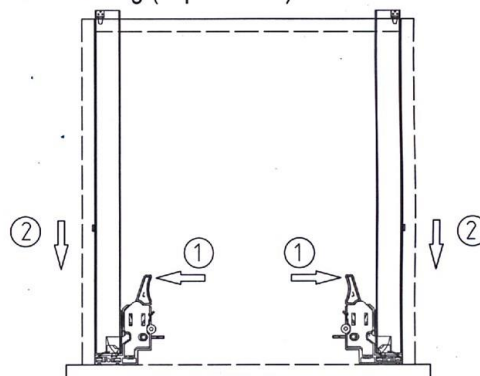
### Drawer Installation (Clip-on Slide)



### Regulation (Clip-on Slide)



### Disassembling (Clip-on Slide)



#### Notes:

- a) Runner doesn't work steadily or pulse?  
Keep slides away from wood chips or other scraps during installation.
- b) Runner doesn't work smoothly?  
Make sure cabinet and drawer are up to the standard;  
make sure cabinet and drawer are rectangular;  
make sure slides at the same level;
- c) The clip-on function lost? Drawer can't close perfectly?  
Make sure the slide at the right position on the fore-and-aft direction;
- e) Drawer can't be disassembled?  
Make sure clip-on handle is open and locking pin is pull out.
- \* f) Push open space is not enough?  
Make sure the cabinet and slide are horizontal.
- \* g) Drawer can't push open?  
Make sure push-open gap is more than 4mm.

Notes: \* for push-open concealed slide only.